

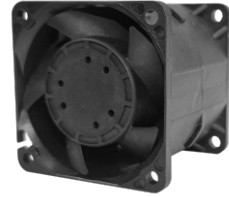
6056-2 Axial Series

Dimensions: 60X60X56 mm

Bearing Type: Ball Bearing

Function Type: FG/RD Signal, PWM pulse

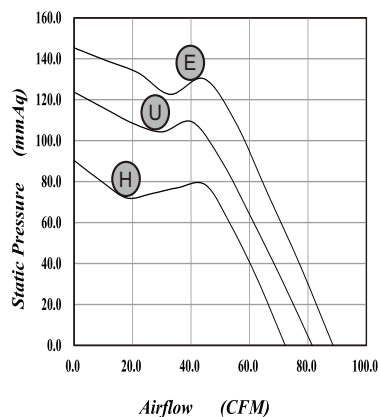
Protection: Auto Restart Protection or General Options



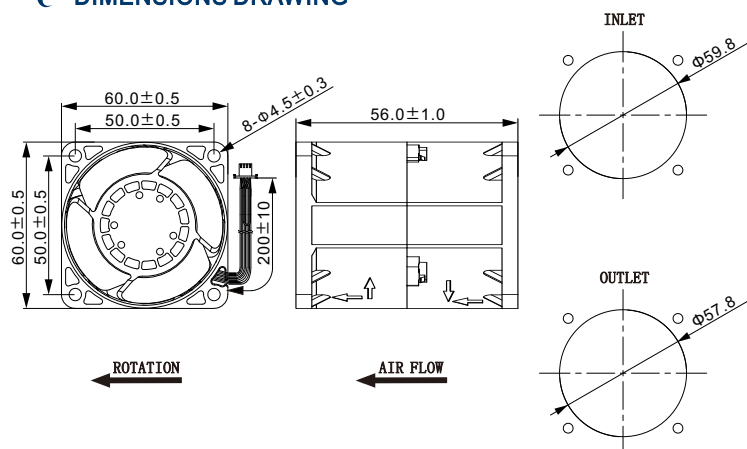
SPECIFICATIONS

MODEL NO	VOLTAGE	CURRENT	POWER	SPEED	AIR FLOW		STATIC PRESSURE		NOISE	CURVE
	V	A	W	RPM	CMM	CFM	mmH ₂ O	INH ₂ O	(dBA)	
6056BVH-N (P/M) 1	12	3.50	42.00	14500/13000	2.045	72.24	90.30	3.555	72.4	H
6056BVU-N (P/M) 1	12	4.50	54.00	16500/14500	2.306	81.46	123.70	4.870	76.5	U
6056BVE-N (P/M) 1	12	5.50	66.00	17800/15800	2.508	88.60	141.60	5.720	80.7	E

PERFORMANCE CURVES



DIMENSIONS DRAWING



*Specifications are subject to change without notice