

7530 Blower Series

Dimensions: 75X75X30 mm

Bearing Type: FDB,Hydraulic,Ball Bearing

Function Type: FG/RD Signal,PWM pulse

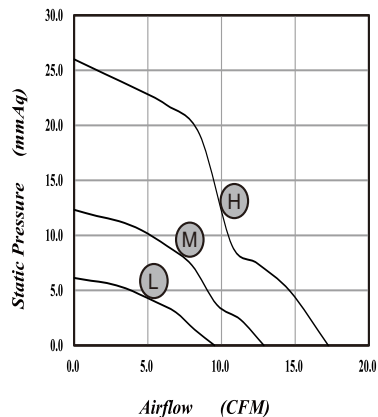
Protection: Auto Restart Protection or General Options



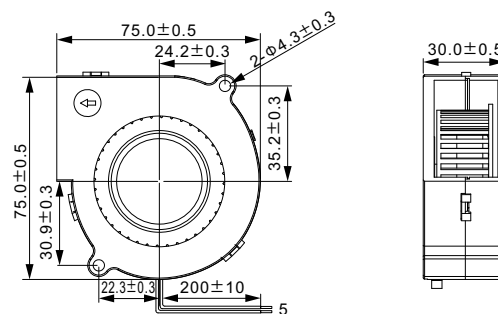
SPECIFICATIONS

MODEL NO	VOLTAGE	CURRENT	POWER	SPEED	AIR FLOW		STATIC PRESSURE		NOISE	CURVE
	V	A	W	RPM	CMM	CFM	mmH ₂ O	INH ₂ O	(dBA)	
7530B/RVL-N (P/M) 1	12	0.25	3.00	3000	0.270	9.53	6.13	0.241	35.8	L
7530B/RVM-N (P/M) 1	12	0.40	4.80	4000	0.365	12.88	12.32	0.349	44.5	M
7530B/RVH-N (P/M) 1	12	0.55	6.60	5500	0.489	17.25	26.00	1.024	51.3	H
7530B/RVL-N (P/M) 2	24	0.15	3.60	3000	0.270	9.53	6.13	0.241	35.8	L
7530B/RVM-N (P/M) 2	24	0.25	6.00	4000	0.365	12.88	12.32	0.349	44.5	M
7530B/RVH-N (P/M) 2	24	0.35	8.40	5500	0.489	17.25	26.00	1.024	51.3	H

PERFORMANCE CURVES



DIMENSIONS DRAWING



*Specifications are subject to change without notice