

8010 Axial Series

Dimensions: 80X80X10 mm

Bearing Type: FDB,Hydraulic,Ball Bearing

Function Type: FG/RD Signal,PWM pulse

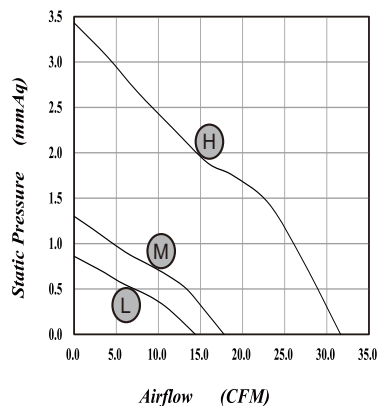
Protection: Auto Restart Protection or General Options



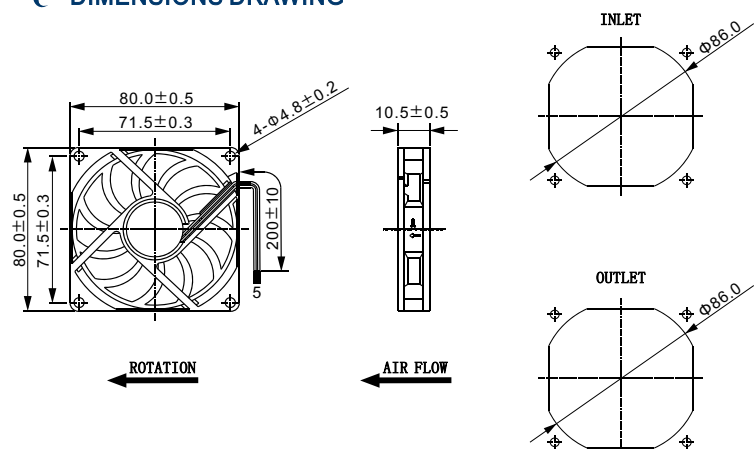
SPECIFICATIONS

| MODEL NO | VOLTAGE | CURRENT | POWER | SPEED | AIR FLOW | | STATIC PRESSURE | | NOISE | CURVE |
|---------------------|---------|---------|-------|-------|----------|-------|--------------------|--------------------|-------|-------|
| | V | A | W | RPM | CMM | CFM | mmH ₂ O | INH ₂ O | (dBA) | |
| 8010B/RVL-N (P/M) 5 | 5 | 0.16 | 0.80 | 2000 | 0.407 | 14.39 | 0.86 | 0.034 | 23.1 | L |
| 8010B/RVM-N (P/M) 5 | 5 | 0.25 | 1.25 | 2500 | 0.504 | 17.80 | 1.30 | 0.051 | 27.2 | M |
| 8010B/RVH-N (P/M) 5 | 5 | 0.70 | 3.50 | 4200 | 0.895 | 31.64 | 3.43 | 0.135 | 38.9 | H |
| 8010B/RVL-N (P/M) 1 | 12 | 0.10 | 1.20 | 2000 | 0.407 | 14.39 | 0.86 | 0.034 | 23.1 | L |
| 8010B/RVM-N (P/M) 1 | 12 | 0.14 | 1.68 | 2500 | 0.504 | 17.80 | 1.30 | 0.051 | 27.2 | M |
| 8010B/RVH-N (P/M) 1 | 12 | 0.30 | 3.60 | 4200 | 0.895 | 31.64 | 3.43 | 0.135 | 38.9 | H |
| 8010B/RVL-N (P/M) 2 | 24 | 0.08 | 1.92 | 2000 | 0.407 | 14.39 | 0.86 | 0.034 | 23.1 | L |
| 8010B/RVM-N (P/M) 2 | 24 | 0.12 | 2.88 | 2500 | 0.504 | 17.80 | 1.30 | 0.051 | 27.2 | M |
| 8010B/RVH-N (P/M) 2 | 24 | 0.28 | 6.72 | 4200 | 0.895 | 31.64 | 3.43 | 0.135 | 38.9 | H |

PERFORMANCE CURVES



DIMENSIONS DRAWING



*Specifications are subject to change without notice