

## 6010 Triangle Fan Series

Dimensions: 60X60X10 mm

Bearing Type: FDB,Hydraulic,Ball Bearing

Function Type: FG/RD Signal,PWM pulse

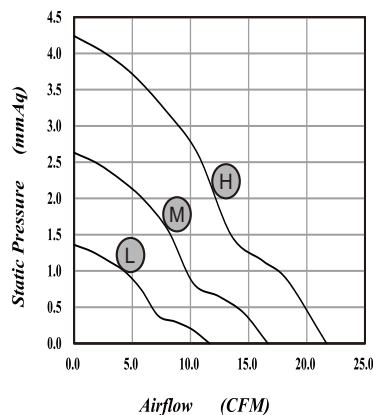
Protection: Auto Restart Protection or General Options



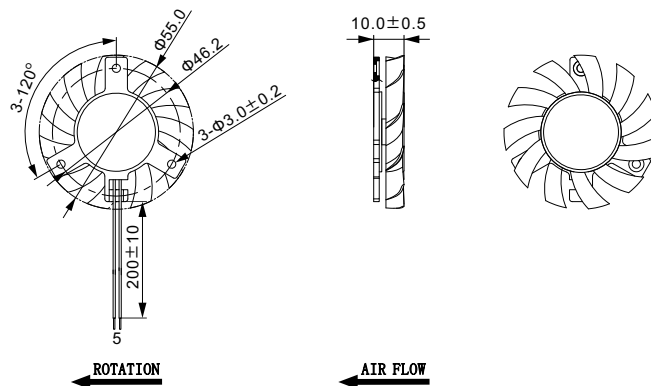
### SPECIFICATIONS

MODEL NO	VOLTAGE	CURRENT	POWER	SPEED	AIR FLOW		STATIC PRESSURE		NOISE	CURVE
	V	A	W	RPM	CMM	CFM	mmH <sub>2</sub> O	INH <sub>2</sub> O	(dBA)	
6010B/RVL-N (P/M) 5	5	0.12	0.60	3000	0.330	11.65	1.36	0.053	23.4	L
6010B/RVM-N (P/M) 5	5	0.22	1.10	4200	0.472	16.66	2.63	0.104	33.0	M
6010B/RVH-N (P/M) 5	5	0.45	2.25	5400	0.615	21.70	4.24	0.167	40.3	H
6010B/RVL-N (P/M) 1	12	0.11	1.32	3000	0.330	11.65	1.36	0.053	23.4	L
6010B/RVM-N (P/M) 1	12	0.20	2.40	4200	0.472	16.66	2.63	0.104	33.0	M
6010B/RVH-N (P/M) 1	12	0.45	5.40	5400	0.615	21.70	4.24	0.167	40.3	H

### PERFORMANCE CURVES



### DIMENSIONS DRAWING



\*Specifications are subject to change without notice