

2006 Axial Series

Dimensions: 20X20X06 mm

Bearing Type: Hydraulic

Function Type: FG/RD Signal, PWM pulse

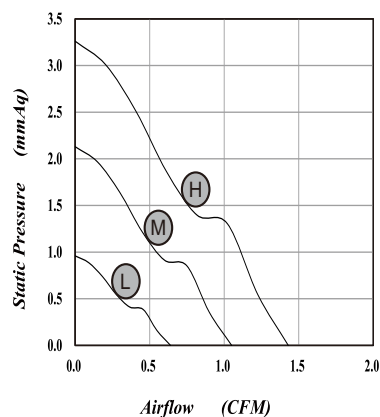
Protection: Auto Restart Protection or General Options



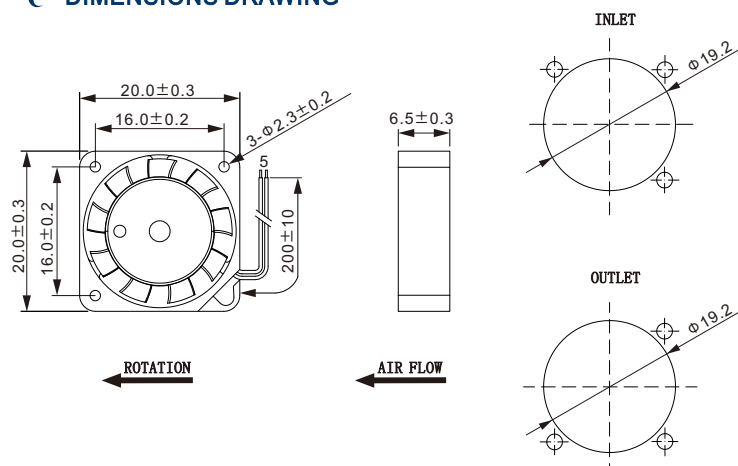
SPECIFICATIONS

MODEL NO	VOLTAGE	CURRENT	POWER	SPEED	AIR FLOW		STATIC PRESSURE		NOISE	CURVE
	V	A	W	RPM	CMM	CFM	mmH ₂ O	INH ₂ O	(dBA)	
2006RVL-N (P/M) 5	5	0.10	0.50	9000	0.018	0.64	0.96	0.038	17.7	L
2006RVM-N (P/M) 5	5	0.15	0.75	13000	0.030	1.05	2.13	0.084	26.1	M
2006RVH-N (P/M) 5	5	0.20	1.00	17000	0.040	1.43	3.26	0.128	33.3	H
2006RVL-N (P/M) 1	12	0.06	0.72	9000	0.018	0.64	0.96	0.038	17.7	L
2006RVM-N (P/M) 1	12	0.10	1.20	13000	0.030	1.05	2.13	0.084	26.1	M
2006RVH-N (P/M) 1	12	0.15	1.80	17000	0.040	1.43	3.26	0.128	33.3	H

PERFORMANCE CURVES



DIMENSIONS DRAWING



*Specifications are subject to change without notice