

9733-2 Blower Series

Dimensions: 97X94X33 mm

Bearing Type: Ball Bearing

Function Type: FG/RD Signal, PWM pulse

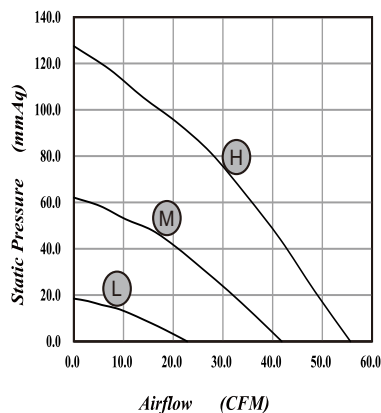
Protection: Auto Restart Protection or General Options



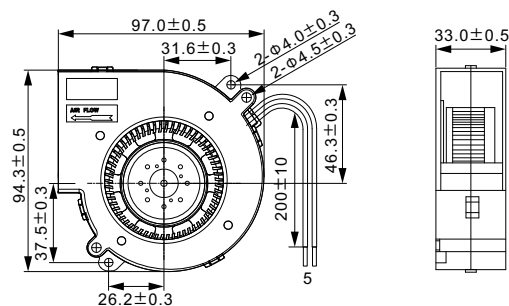
SPECIFICATIONS

MODEL NO	VOLTAGE	CURRENT	POWER	SPEED	AIR FLOW		STATIC PRESSURE		NOISE	CURVE
	V	A	W	RPM	CMM	CFM	mmH ₂ O	INH ₂ O	(dBA)	
9733BVH-N (P/M) 1	12	0.56	6.72	3000	0.647	22.83	18.48	0.727	47.6	H
9733BVU-N (P/M) 1	12	2.00	24.00	5500	1.186	41.85	62.10	2.445	60.8	U
9733BVE-N (P/M) 1	12	5.00	60.00	7200	1.576	55.65	127.50	5.020	66.6	E
9733BVH-N (P/M) 2	24	0.40	9.60	3000	0.647	22.83	18.48	0.727	47.6	H
9733BVU-N (P/M) 2	24	1.00	24.00	5500	1.186	41.85	62.10	2.445	60.8	U
9733BVE-N (P/M) 2	24	2.50	60.00	7200	1.576	55.65	127.50	5.020	66.6	E
9733BVH-N (P/M) 4	48	0.25	12.00	3000	0.647	22.83	18.48	0.727	47.6	H
9733BVU-N (P/M) 4	48	0.60	28.80	5500	1.186	41.85	62.10	2.445	60.8	U
9733BVE-N (P/M) 4	48	1.50	72.00	7200	1.576	55.65	127.50	5.020	66.6	E

PERFORMANCE CURVES



DIMENSIONS DRAWING



*Specifications are subject to change without notice